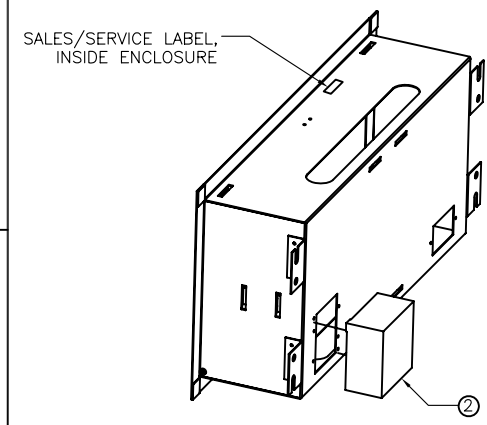
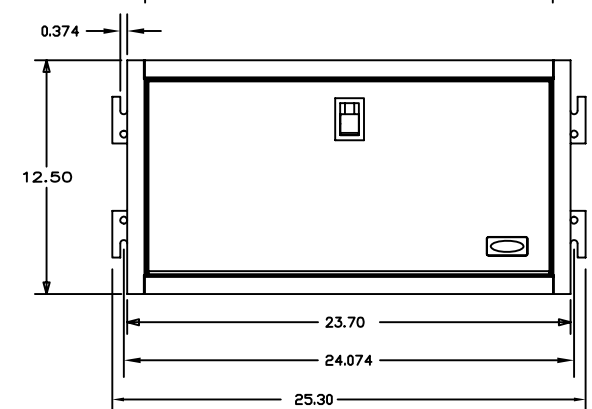
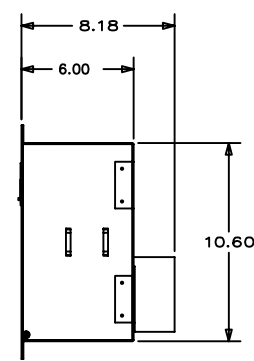
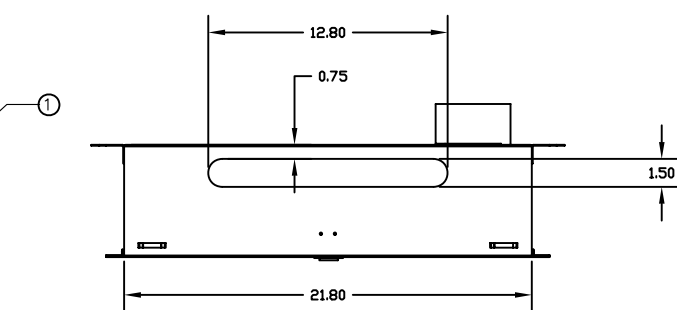
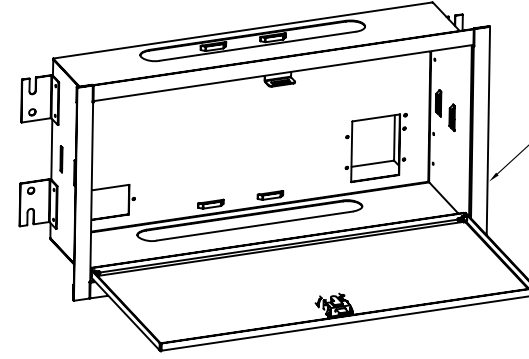



ITEM NO.	DESCRIPTION	QTY.
1	ENCLOSURE	1
2	4" SQ. WORK BOX (ASSEMBLED)	1
3	SINGLE GANG ST. STEEL FACEPLATE (LOOSE)	1
4	DUPLEX RECEPTACLE 20A 125V (LOOSE)	2

CATALOG NUMBER	DESCRIPTION
AVCE1	CEILING BOX



- NOTES:
1. SURFACE FINISH: WHITE POWDER COAT
  2. SPECIFICATIONS SUBJECT TO CHANGE WITHOUT NOTICE.

REV.	ECN	DATE	DESCRIPTION	CHG BY	APPD BY
A	6706	01/28/10	INITIAL RELEASE	MMA	MO

Created on AUTOCAD	DIMENSIONING AND TOLERANCE PER ANSI Y14.5M-1982 UNLESS OTHERWISE SPECIFIED, DIMENSIONS ARE IN INCHES (MM). TOLERANCES .X = ±.03 (.8) .XX = ±.02 (.4) .XXX = ±.010 (.25) ANGLE TOL ±1°		PROJECT REFERENCE: PMR 007-09		 <b>Hubbell Premise Wiring</b> HUBBELL INCORPORATED (Delaware) 14 Lord's Hill Road, Stonington, Connecticut 06378	
	MATERIAL: C.R.S.		DRAWN BY: M. ABBY 01/27/10			TITLE: CEILING BOX
	IN ACCEPTING OUR DRAWINGS, BLUEPRINTS, OR SUPPORTING DOCUMENTATION FOR QUOTATION OR OTHER PURPOSES, YOU AGREE NOT TO DISCLOSE TO OTHERS THE IDEAS, INFORMATION, OR DESIGNS SHOWN HEREIN, AND THAT YOU WILL MAKE NO USE OF SAME WITHOUT PERMISSION		CHECKED BY:  APPROVED BY:			SIZE <b>C</b>
		SCALE: N/A		SHEET 1 OF 1		